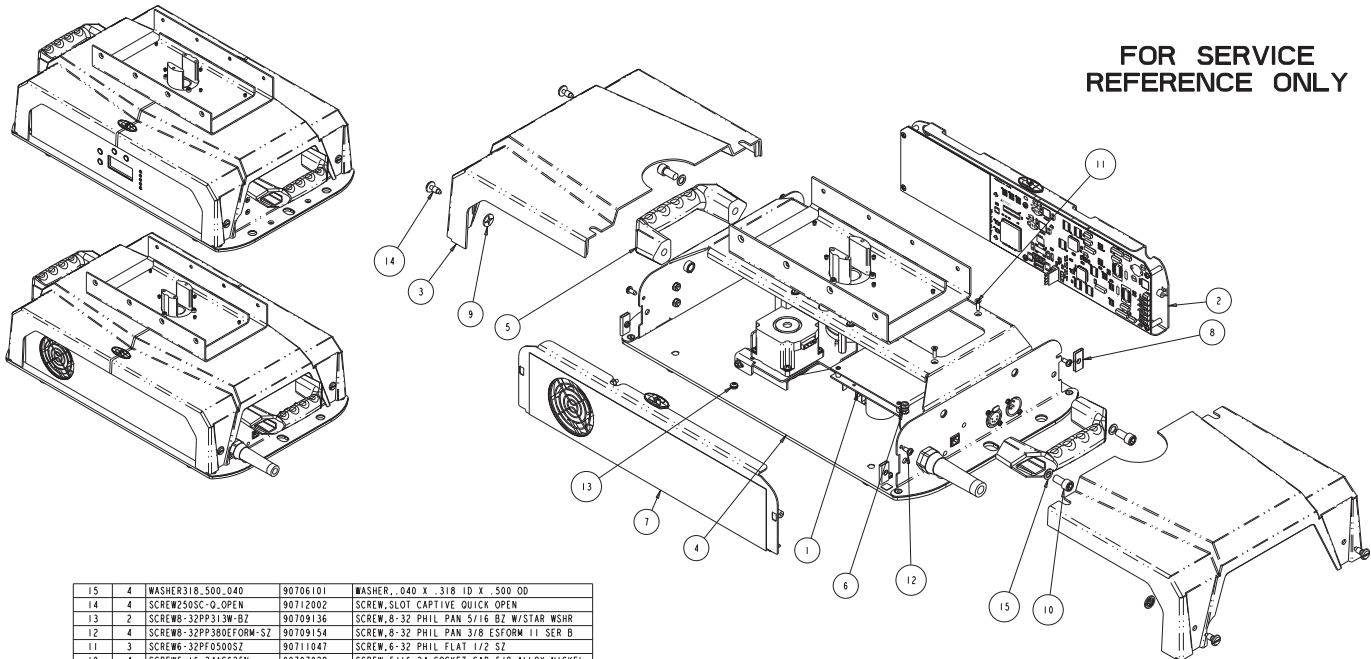


FOR SERVICE
REFERENCE ONLY

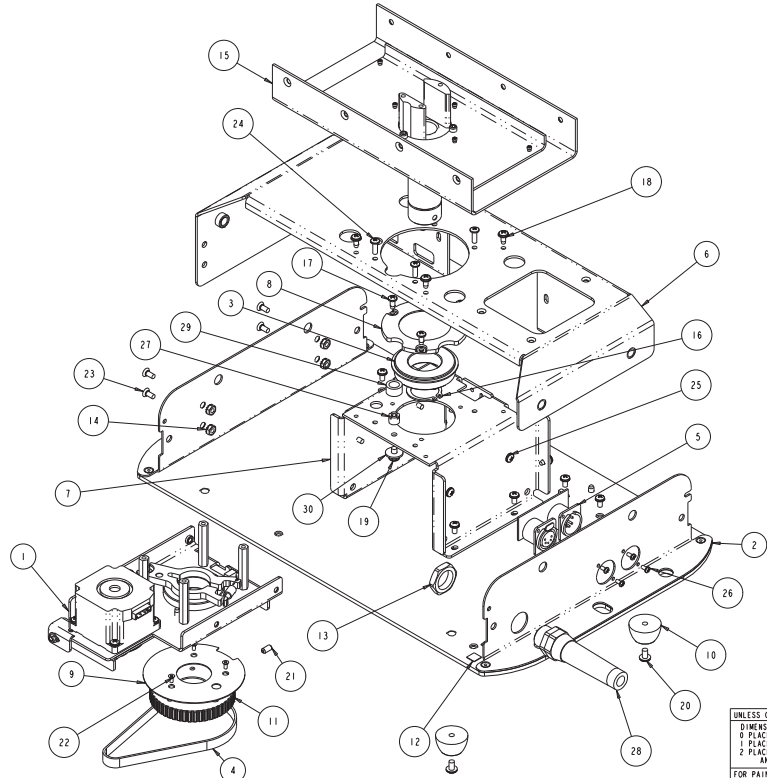


15	4	WASHER318.500.040	90706101	WASHER,,040 X.318 ID X.500 OD
14	4	SCREW250SC-0.OPEN	90712002	SCREW_SLOT CAPTIVE QUICK OPEN
13	2	SCREWB-32PP313W-BZ	90709136	SCREW,8-32 PHIL PAN 5/16 BZ W/STAR WSHR
12	4	SCREWB-32PP30EFORM-SZ	90709154	SCREW,8-32 PHIL PAN 3/8 ESFORM 11 SER B
11	3	SCREWB-32PF0500SZ	90711047	SCREW,6-32 PHIL FLAT 1/2 SZ
10	4	SCREWS.16-24AC625N	90707028	SCREW,5/16-24 SOCKET CAP 5/8 ALLOY NICKEL
9	4	WASHER180X60RETRNR.NY	90701098	RETAINER,WASHER NYLON BLACK
8	4	RECEPT25OCLIP-ON	90701099	RECEPTICLE, CLIP-ON NARROW FLANGE
7	1	LEA017	INTERNAL	PANEL_ASM.REAR.TOP.BOX.STPX
6	2	NUT8-32KEP	90703023	NUT,8-32 KEPS NUT SZ
5	2	KS205	90720009	HANDLE,ELECTRONIC ENCLOSURE S-CMD
4	1	LEA015	INTERNAL	ENCLOSURE_ASM.TOP.BOX.STPX
3	2	KS201	99080263	COVER,ELECTRONIC ENCLOSURE S-CMD
2	1	LEA016	8001021BEF	BOARD,CPU PAN & TILT W/ LED PANEL
1	1	SWA136	80050049	BOARD, ASSY MOTOR POWER SUPPLY SB TESTED
ITEM NO.	QTY.	FILENAME	PART NO.	DESCRIPTION
BILL OF MATERIALS				

UNLESS OTHERWISE SPECIFIED:	RELEASE DATE:	CEL:	High End	2105 GRACY FARMS LANE AUSTIN, TEXAS 78758 (512) 836-2244 FAX (512) 832-4128 http://www.highend.com	
DIMENSIONAL TOLERANCES:	ENG:	DA:			
0 PLACE DECIMAL: ±0.38	MEG:	DRW:			
1 PLACE DECIMAL: ±0.13	MEG:				
2 PLACE DECIMALS: ±0.13	MEG:				
ANGLES: ±0.5°	DESCRIPTION:				
FOR PAINTED PARTS REFER TO:	ENCLOSURE_COMPLETE.TOP.BOX.STPX				
ENG. SPEC. MANUAL W/ 0592	MATERIAL:				
ALL COMPONENTS: MATERIALS AND FINISHES TO BE BANS COMPLIANT	FINISH:				
	NA				
MIN. HOLE:	INTERPRET DIMENSIONS PER		PART NO.	DRAWING NO.	
MIN. HOLE:	ASME Y14.5M-1994		INTERNAL	LEA002_SVC	
FLATNESS:	THIRD ANGLE PROJECTION			REV.	
TOLERANCES:	DIMENSIONS ARE IN MILLIMETERS				
VOLUME:			DO NOT SCALE	SCALE: 0.500	
				SHEET: 1 OF 1	

DISPROPRIETARY NOTICES

THIS DOCUMENT CONTAINS CONFIDENTIAL AND PROPRIETARY INFORMATION OF HIGH END SYSTEMS INC., ALSO DBA LIGHTWAVE RESEARCH AND IS GIVEN TO THE RECEIVER IN CONFIDENCE. THE RECEIVER ACCEPTS AND AGREES THAT, EXCEPT AS AUTHORIZED BY HIGH END SYSTEMS, THE RECEIVER WILL NOT PERMIT THE USE OF THE DOCUMENT OR ANY COPY THEREOF OR THE INFORMATION HEREIN, WILL NOT COPY OR REPRODUCE THE DOCUMENT, WILL NOT DISCLOSE TO OTHERS EITHER THE DOCUMENT OR THE INFORMATION THEREIN, AND WILL UPON COMPLETION OF THE NEED TO RETURN THE DOCUMENT, OR UPON DEMAND, RETURN THE DOCUMENT, WITHOUT RETAINING ANY OF THE INFORMATION CONTAINED THEREIN IN ANY FORM WHATSOEVER.

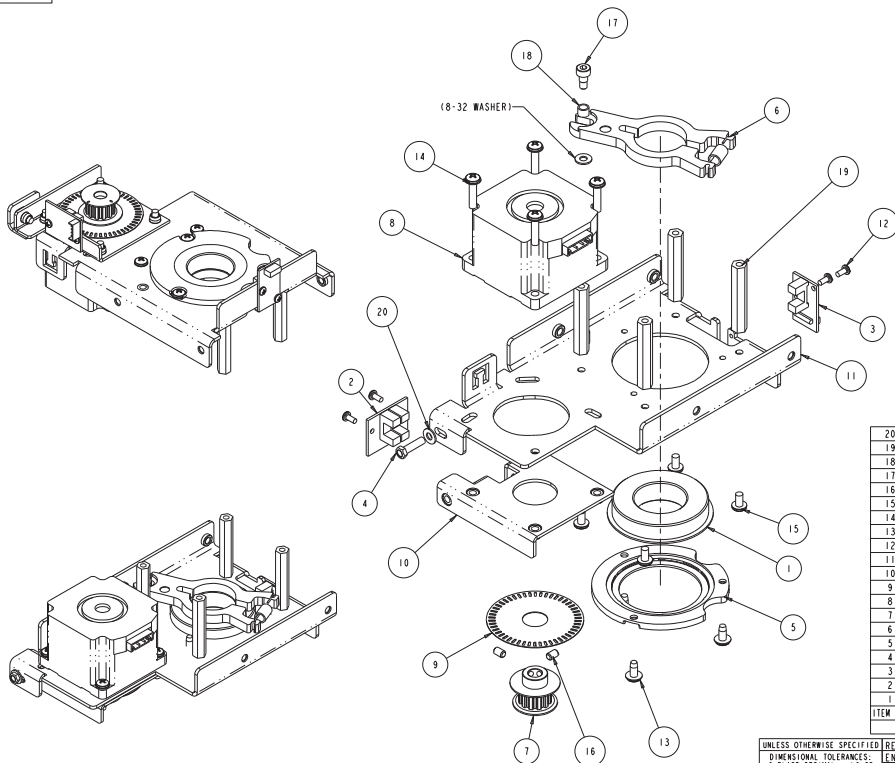


**FOR SERVICE
REFERENCE ONLY**

30	1	WASHER10FLT203X625SS	90706056	WASHER,FLAT, #10 .203X.625X.056-071 SS
29	1	ST416	90717022	TUBING, 3/8" SAE 30R7 FUEL/EMS
28	1	STRAIN_RELIEF	90414009	STRAIN RELIEF, POWERGRIP BLK CLIX
27	1	SW333	90702154	STANDOFF, 10-32 X .375 OD THD SLOTTED
26	4	SCREW3PP06BZ	90709143	SCREW, #3 PHIL PAN 06 BZ
25	12	SCREWS-32PP313W-BZ	90709136	SCREW, 8-32 PHIL PAN 5/16 BZ W/STAR WSHR
24	4	SCREW-32PP500BZ	90709090	SCREW, 8-32 PHIL PAN 1/2 W/S BZ
23	4	SCREW-32PP380UC-BZP	90709141	SCREW, 8-32 PHIL FLAT UC 3/8 BZ PATCH
22	3	SCREW-40PF250UC-SZP	90711044	SCREW, 4-40 PHIL FLAT UC 1/4 PATCH
21	2	SCREW-32AS380	90701083	SCREW, 10-32 SOCKET SET 3/8 ALLOY, CUP PT BLK
20	4	SCREW10-32PP313W-SZ	90709181	SCREW, 10-32 PHIL PAN 5/16 WS CS SZ SWE
19	1	SCREW10-32PP380SS	90709148	SCREW, 10-32 PHIL PAN 3/8 SS
18	6	SCREWS-18PP380W-BZ	90709142	SCREW, #8 PHIL PAN 3/8 B W/STAR WASHER
17	3	SCREW-18PP380BTYPE-BZ	90709128	SCREW, #8 PHIL PAN 3/8 B TYPE BZ
16	1	RING1000EXT	90701071	RETAINER, RING ZINC YELLOW (1.00 ID)
15	1	KS4022	NA	PAN TUBE ASSY, S-CMD
14	4	NUT8-32KEP	90703023	NUT, 8-32 KEPS NUT SZ
13	1	NUT500NPT_NYLON	90703030	NUT, 1/2 NPT STRAIN RELIEF CYBER, CX
12	1	LABEL38X38GND	99410006	LABEL, CE/UL GROUND WIRE
11	1	ST336	99430044	GEAR, PULLEY 48 TOOTH /HOLE MACHINED EXT
10	4	RUBBER_FT	90410089	FOOT, RUBBER STC/NH LONG
9	1	SY158	99360016	FLANGE, PULLEY PAN/TILT
8	1	SP465	99260447	CAP, BRG SUPRT 910PPG, DIECAST, MACHINED
7	1	SW155	99260285	BRACKET, PAN BEARING MOUNT STUDIO BEAM
6	1	KS168	99260490	BRACKET, PAN SUPPORT S-CMD-1200
5	1	ST4026	80010102EF	BOARD, 5 PIN XLR ASSY
4	1	BELT2P_375W_48TOOTH	99360006	BELT, TIMING, 2P 3/8" W 67 TOOTH STC
3	1	WP216	90719068	BEARING, PEER 6008-2RS-NR
2	1	LEA012	80071912	BASEPLATE/SIDE PANEL, ASSY COATED STPX
1	1	SWA176	NA	ASSY, LOWER BEARING, STUDIO BEAM
ITEM NO. QTY.		FILENAME	PART NO.	DESCRIPTION
				BILL OF MATERIALS

UNLESS OTHERWISE SPECIFIED:	RELEASE DATE:	CE:	High End	2105 GRACY FARMS LANE AUSTIN, TEXAS 78758 (512) 836-2244 FAX (512) 832-4128 http://www.highend.com	
DIMENSIONAL TOLERANCES: 0 PLACE DECIMAL: ±0.38 1 PLACE DECIMAL: ±0.25 2 PLACE DECIMALS: ±0.13 ANGLES: ±0.5°	ENG:	DA:			
FOR PAINTED PARTS REFER TO ENG. SPEC. MANUAL WJ-0592	INTERPRET DIMENSIONS PER ASME Y14.5M-1994 THIRD ANGLE PROJECTION DIMENSIONS ARE IN MILLIMETERS	DRW:			
ALL COMPONENTS, MATERIALS AND FINISHES TO BE HANS COMPLIANT	DESCRIPTION: ENCLOSURE, ASM_TOP-BOX_STPX	MATERIAL:	FINISH:	REV.	
W/J: NA M/J: NA FLATNESS: SURFACES: VOLUME:	SI MTC A1	PART NO. INTERNAL LEA015_SVC	DRAWING NO. LEA015_SVC	SCALE: 0.630 SHEET: 1 OF 1	

DISPENSABLE NOTICE:
THIS DOCUMENT CONTAINS CONFIDENTIAL AND PROPRIETARY INFORMATION OF HIGH END SYSTEMS INC., ALSO DBA LIGHTWAVE RESEARCH AND IS GIVEN TO THE RECEIVER IN CONFIDENCE. THE RECEIVER ACCEPTS AND AGREES THAT, EXCEPT AS AUTHORIZED BY HIGH END SYSTEMS, THE RECEIVER WILL NOT PERMIT THE USE OF THE DOCUMENT OR ANY COPY THEREOF OR THE INFORMATION HEREIN, WILL NOT COPY OR REPRODUCE THE DOCUMENT, WILL NOT DISCLOSE TO OTHERS EITHER THE DOCUMENT OR THE INFORMATION THEREIN, AND WILL UPON COMPLETION OF THE NEED TO RETAIN THE DOCUMENT, OR UPON DEMAND, RETURN THE DOCUMENT, WITHOUT RETAINING ANY OF THE INFORMATION CONTAINED THEREIN IN ANY FORM WHATSOEVER.



FOR SERVICE
REFERENCE ONLY

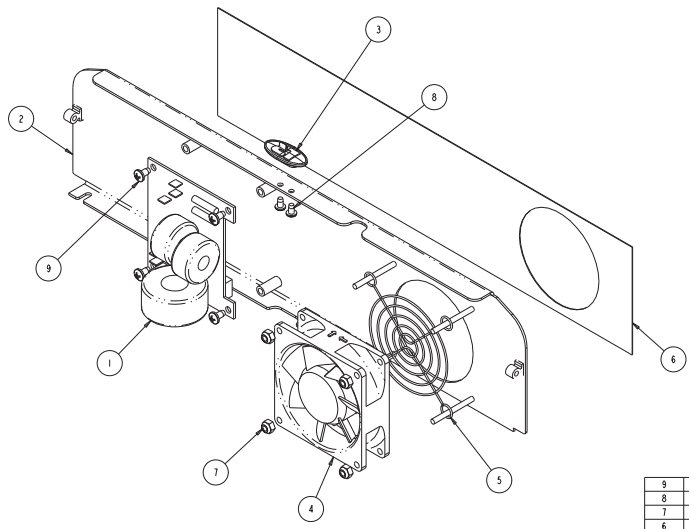
20	2	WASHER8-32S	90706009	WASHER, #8 FLAT SS .174 X .375 X .032
19	4	SY334	90702132	STANDOFF, PAN BEARING SUPPORT, S 250
18	1	SPACER250RND188	90702135	SPACER, .188 X 3/16 ID, 174 OD
17	1	SCREW8-32K18X187BZ	90708014	SCREW, 8-32 SOCKET SHOULDER 3/16 X 3/16
16	2	SCREW8-32AS250FLAT-BZ	90707091	SCREW, 8-32 SOCKET SET 1/4 BZ FLAT PT
15	4	SCREW8-32PP313W-BZ	90709136	SCREW, 8-32 PHIL PAN 3/16 BZ W/STAR WSHR
14	4	SCREW8-32PP150W-BZ	90709166	SCREW, 8-32 PHIL PAN 3/16 MS CS BZ SWE
13	3	SCREW8-18PP380W-BZ	90709142	SCREW, #8 PHIL PAN 3/8 B W/STAR WASHER
12	4	SCREW4-20PP250S2	90709129	SCREW, #4 PHIL PAN 1/4 S2
11	1	KS155	99260486	PLATE, LOWER PAN BRG / MTR MNT
10	1	KS156	99080272	PLATE, ENCODER, PAN MOTOR
9	1	WP240	99180029	OPTICAL ENCODER WHEEL, LEXAN, 50 SLOTS
8	1	MR060	99270035	MOTOR, STEP 3PH S60 22.5MM SHAFT JS
7	1	SP253	99430017	GEAR, PINION PAN/TILT STUDIO SPOT
6	1	STA071	80140028	DAMPER, SHAFT TENSIONER ASSY, ACETAL
5	1	SP465	99260447	CAP. BRG SUPRT 910PPOR, DIECAST, MACHINED
4	1	SCREW8-32HC0625SS	90704023	BOLT, HEX 8-32 X 5/8 S2
3	1	TB090	80040019EF	BOARD, SENSOR ASSY TECHNOBEAM
2	1	SY415	80010103EF	BOARD, DUAL SENSOR 2 ASSY
1	1	WP276	90719068	BEARING, FEER 6006-2RS NR
ITEM NO.	QTY.	FILENAME	PART NO.	DESCRIPTION

BILL OF MATERIALS

UNLESS OTHERWISE SPECIFIED:	RELEASE DATE:	CD:	High End	2105 GRACY FARMS LANE AUSTIN, TEXAS 78758 (512) 856-2244 FAX (512) 832-4128 http://www.highend.com	
DIMENSIONAL TOLERANCES:	ENG:	DA:			
0 PLACE DECIMAL = ±0.38	ME:				
1 PLACE DECIMAL = ±0.25	WEG:	DRW: VILLARREAL			
2 PLACE DECIMALS = ±0.13	ANGLES = ±0.5°				
FOR PAINTED PARTS REFER TO ENG. SPEC. MANUAL WJ-0592	MATERIAL:				
ALL COMPONENTS: MATERIALS AND FINISHES TO BE RANS COMPLIANT	ASST. LOWER BEARING, STUDIO BEAM				
FIN. MNT	FINISH:				
MIN. MNT	NA				
FLATNESS:	INTERPRET DIMENSIONS PER ASME Y14.5M-1994				
TOLERANCES:	THIRD ANGLE PROJECTION				
VOLUME:	DIMENSIONS ARE IN MILLIMETERS				
	SI METRIC A1				
	PART NO. NA				
	DO NOT SCALE				
	SCALE: 1:600				
	SHEET: 1 OF 1				

DISPOSABLE LEADY NOTICES

THIS DOCUMENT CONTAINS CONFIDENTIAL AND PROPRIETARY INFORMATION OF HIGH END SYSTEMS INC., ALSO DBA LIGHTWAVE RESEARCH AND IS GIVEN TO THE RECEIVER IN CONFIDENCE. THE RECEIVER ACCEPTS AND AGREES THAT, EXCEPT AS AUTHORIZED BY HIGH END SYSTEMS, THE RECEIVER WILL NOT PERMIT THE USE OF THE DOCUMENT OR ANY COPY THEREOF OR THE INFORMATION HEREIN, WILL NOT COPY OR REPRODUCE THE DOCUMENT, WILL NOT DISCLOSE TO OTHERS EITHER THE DOCUMENT OR THE INFORMATION THEREIN, AND WILL UPON COMPLETION OF THE NEED TO RETURN THE DOCUMENT, OR UPON DEMAND, RETURN THE DOCUMENT, WITHOUT RETAINING ANY OF THE INFORMATION CONTAINED THEREIN IN ANY FORM WHATSOEVER.



FOR SERVICE REFERENCE ONLY

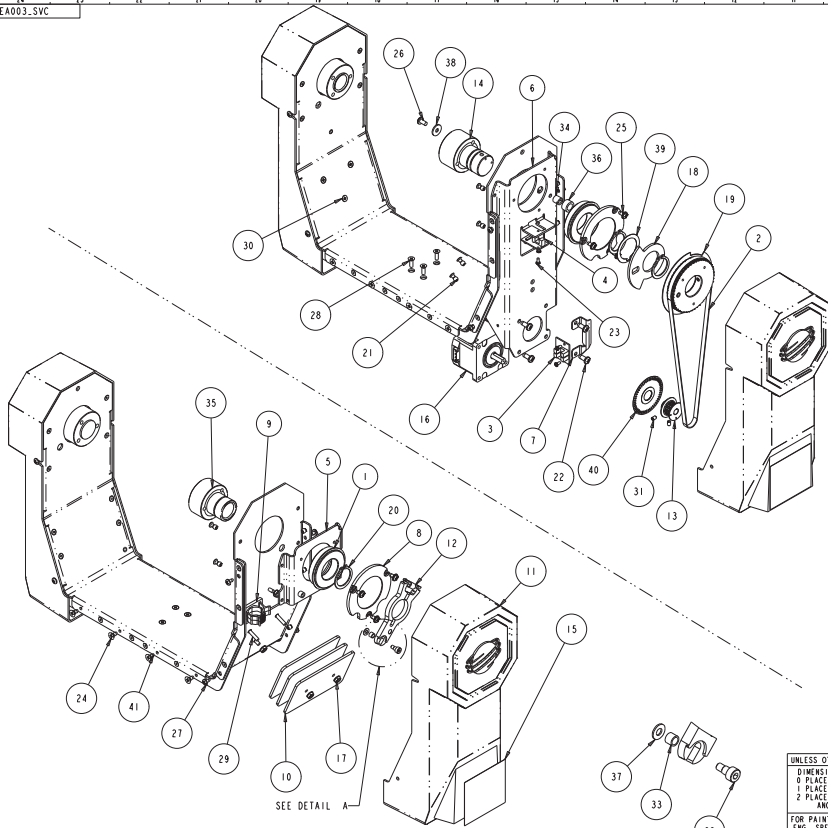
ITEM NO.	QTY.	FILENAME	PART NO.	DESCRIPTION
9	4	SCREWB-32PP313TL-BZ	90709065	SCREW, 8-32 PHIL PAN 5/16 TAPTITE II SBZ
8	2	SCREWB-19PP250TL-SZ	90709123	SCREW, 6-19 PHIL PAN 1/4 SZ PLASTITE
7	4	NUT, 6-32 LOCK, NY	90703009	NUT, LOCK 6-32 NYLON INSERT SZ
6	1	LE454	99310497	LABEL, BACK PANEL, STPX
5	1	GRILL, 80MM-FAN	99190100	GRILL, BLACK, 80MM FAN
4	1	LE716	80270050EF	FAN, ASM, 24VDC, 80 X 25mm, SANYO, 23" LEAD
3	1	ST200	90724008	BUTTON, LR
2	1	LE115	99263126	BRACKET, REAR PANEL, 80mm FAN STPX
1	1	LINEFILTER_KS.PCBA	80010126	BOARD, ASSY STUDIO BEAM LINE FILTER

BILL OF MATERIALS

UNLESS OTHERWISE SPECIFIED:	RELEASE DATE:	CEL:	2105 GRACY FARMS LANE AUSTIN, TEXAS 78758 (512) 836-2244 FAX (512) 832-4128 ***** http://www.highend.com	
DIMENSIONAL TOLERANCES:	ENG:	DA:		
0 PLACE DECIMAL = ±0.38	ME:			
1 PLACE DECIMAL = ±0.25	WEG:	DRW:		
2 PLACE DECIMALS = ±0.13	DESCRIPTION:			
ANGLES = ±0.5°	FOR PAINTED PARTS REFER TO:			
ALL COMPONENTS: MATERIALS AND FINISHES TO BE BANS COMPLIANT	PANEL_ASM_REAR_TOP_BOX_STPX			
ENG. SPEC. MANUAL WJ-0592	MATERIAL:		FINISH:	
MIN. HOLE:	INTERPRET DIMENSIONS PER		PART NO.	
FLATNESS:	ASME Y14.5M-1994		INTERNAL	
THICKNESS:	THIRD ANGLE PROJECTION		DRAWING NO.	
VOLUME:	DIMENSIONS ARE IN MILLIMETERS		LEA017_SVC	
			SCALE: 0.875	
			SHEET: 1 OF 1	

THIS DOCUMENT CONTAINS CONFIDENTIAL AND PROPRIETARY INFORMATION OF HIGH END SYSTEMS INC., ALSO DBA LIGHTWAVE RESEARCH AND IS GIVEN TO THE RECEIVER IN CONFIDENCE. THE RECEIVER ACCEPTS AND AGREES THAT, EXCEPT AS AUTHORIZED BY HIGH END SYSTEMS, THE RECEIVER WILL NOT PERMIT THE USE OF THE DOCUMENT OR ANY COPY THEREOF OR THE INFORMATION HEREIN, WILL NOT COPY OR REPRODUCE THIS DOCUMENT, WILL NOT DISCLOSE TO OTHERS EITHER THE DOCUMENT OR THE INFORMATION THEREIN, AND WILL UPON COMPLETION OF THE NEED TO RETURN THE DOCUMENT, OR UPON DEMAND, RETURN THE DOCUMENT WITHOUT RETAINING ANY OF THE INFORMATION CONTAINED THEREIN IN ANY FORM WHATSOEVER.

LEA003_SVC



SEE DETAIL A

DETAIL A
SCALE 1, 000

FOR SERVICE REFERENCE ONLY

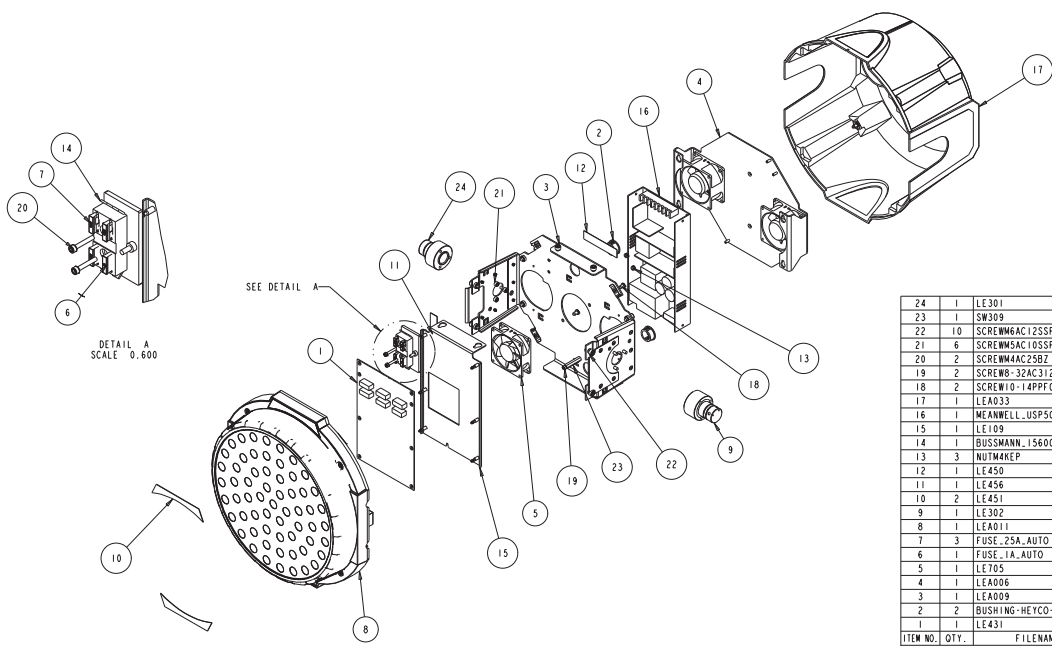
41	1	KS4014	80071883	YOKE, ASSY RIVETED S-CMD
40	1	CS505	99180029	WHEEL, OPTICAL ENCODER, LEXAN 50 SLOTS
39	1	WP207	90706058	WASHER, SPRING STAINLESS STC
38	1	WASHER10FLT203X625SS	90706056	WASHER, FLAT, #10, .203X.625X.056-071 SS
37	1	WASHERB-3Z5	90706009	WASHER, #8 FLAT SS, .174 X .375 X .032
36	1	SV416	90717022	TUBING, 3/8" SAE 30RT FUEL/LEMIS
35	1	LE301	99400099	TUBE, TILT, IDLE SIDE, STPX
34	1	SV1310	90702120	STANDOFF, .375 OD, 10-32 THD SLOTTED
33	1	SPACER25ORND188	90702135	SPACER, .188 x 3/16 ID, 1/4 OD
32	1	SCREWB-32AC187X187BZ	90708014	SCREW, B-32 SOCKET SHOULDER 3/16 X 3/16
31	2	SCREWB-32AS250FLAT-BZ	90707091	SCREW, B-32 SOCKET SET, 1/4 BZ FLAT PT
30	1	SCREWB-32PF380UC-BZP	90709141	SCREW, B-32 PHIL FLAT UC 3/8 BZ PATCH
29	2	SCREWB-32PF750F TYPE-BZ	90711013	SCREW, B-32 PHIL FLAT 3/4 F TYPE BZ
28	3	SCREWB-32PF500UC-BZP	90709185	SCREW, B-32 PHIL FLAT 1/2 UC CS BZ PATCH
27	8	SCREWB-32P1312BZP	90711048	SCREW, B-32 PHIL TRUSS 5/16 CS BZ PATCH
26	1	SCREW10-32PF380SS	90709148	SCREW, 10-32 PHIL PAN 3/8 SS
25	6	SCREWB-18PP380W-BZ	90709142	SCREW, #8 PHIL PAN 3/8 B W/STAR WASHER
24	8	SCREWB-18PF380TYPE-BZ	90711034	SCREW, #8 PHIL FLAT UC 3/8 B TYPE BZ
23	4	SCREWB-4-20PP250S2	90709129	SCREW, #4 PHIL PAN 1/4 S2
22	4	SCREW10-14PP500TL-SZ	90709062	SCREW, #10 PHIL PAN 1/2 PLASTITE SZ
21	12	RIVET-AR54AB5.B	90701161	RIVET, 5/32 CSK .188 .250 AL BLK PAINT
20	3	RING1000EXT	90701071	RETAINER, RING ZINC YELLOW (1.00 ID)
19	1	LEA010	INTERNAL	PULLEY, ASM, A8T, STPX
18	1	LE108	99800354	PLATE, STOP, TILT, STPX
17	4	NUT8-32KEP	90703023	NUT, B-32 KEPS NUT SZ
16	1	MRO60	99270035	MOTOR, STEP 3PH S60 22.5MM SHAFT JS
15	2	LE455	99310500	LABEL, YOKE COVER, STPX
14	1	LE302	99400100	HUB, TILT, DRIVE SIDE, STPX
13	1	SP253	99430017	GEAR, PINION PAN/TILT STUDIO SPOT
12	1	SYA071	80140028	DAMPER, SHAFT TENSIONER ASSY, ACETAL
11	2	KS202	99800264	COVER, YOKE S-CMD
10	3	SY179	85000174	COUNTERWEIGHT, YOKE ARM, S 250
9	1	CLIP-9-16-QUIK-RLSE	90701217	CLIP, 9/16 ADJUSTABLE QUICK RELEASE
8	2	SP465	99260447	CAP, BRG SUPRT 910PPG, DIECAST, MACHINED
7	1	SV157	99260225	BRACKET, ENCODER SENSOR, SP2 ST2
6	1	KT112	99260487	BRACKET, TILT BRG, GEAR SIDE, S-CMD-H
5	1	SV154	99260184	BRACKET, TILT BEARING MTR BRK SIDE S 250
4	1	TD090	80040019EF	BOARD, SENSOR ASSY TECHNOEM
3	1	SV415	80010103EF	BOARD, DUAL SENSOR 2 ASSY
2	1	BELT_25W_1117TOOTH	99360046	BELT, TIMING BELT .2P 1/4" W 117 TOOTH
1	2	WP276	90719068	BEARING, PEER 6006-2RS-NR

ITEM NO.	QTY.	FILENAME	PART NO.	DESCRIPTION
BILL OF MATERIALS				

UNLESS OTHERWISE SPECIFIED:	RELEASE DATE:	CC:	High End	2105 GRACY FARMS LANE AUSTIN, TEXAS 78758 (512) 836-2244 FAX (512) 832-4128 http://www.highend.com	
DIMENSIONAL TOLERANCES: 0 PLACE DECIMAL = ±0.38 1 PLACE DECIMAL = ±0.25 2 PLACE DECIMALS = ±0.13 ANGLES = ±0.5°	ENG:	DA:			
FOR PAINTED PARTS REFER TO ENG. SPEC. MANUAL W1-0592	MATERIAL:	DRW:			
ALL COMPONENTS: MAT'RING AND FINISHES TO BE BANS COMPLIANT	FINISH:		NONE		
W.T. UNIT	INTERPRET DIMENSIONS PER ASME Y14.5M-1994 THIRD ANGLE PROJECTION DIMENSIONS ARE IN MILLIMETERS	SI A1	PART NO. INTERNAL	DRAWING NO. LEA003_SVC	REV.
VOLUME	DO NOT SCALE	SCALE: 0.430	SHEET: 1 OF 1		

THIS DOCUMENT CONTAINS CONFIDENTIAL AND PROPRIETARY INFORMATION OF HIGH END SYSTEMS, INC., ALSO DBA LIGHTWAVE RESEARCH, AND IS GIVEN TO THE RECEIVER IN CONFIDENCE. THE RECEIVER ACCEPTS AND AGREES THAT, EXCEPT AS AUTHORIZED BY HIGH END SYSTEMS, THE RECEIVER WILL NOT PERMIT THE USE OF THE DOCUMENT OR ANY COPY THEREOF OR THE INFORMATION HEREIN, WILL NOT COPY OR REPRODUCE THE DOCUMENT, WILL NOT DISCLOSE TO OTHERS EITHER THE DOCUMENT OR THE INFORMATION THEREIN, AND WILL UPON COMPLETION OF THE NEED TO RETURN THE DOCUMENT, OR UPON DEMAND, RETURN THE DOCUMENT, WITHOUT RETAINING ANY OF THE INFORMATION CONTAINED THEREIN IN ANY FORM WHATSOEVER.

LEA004_SVC



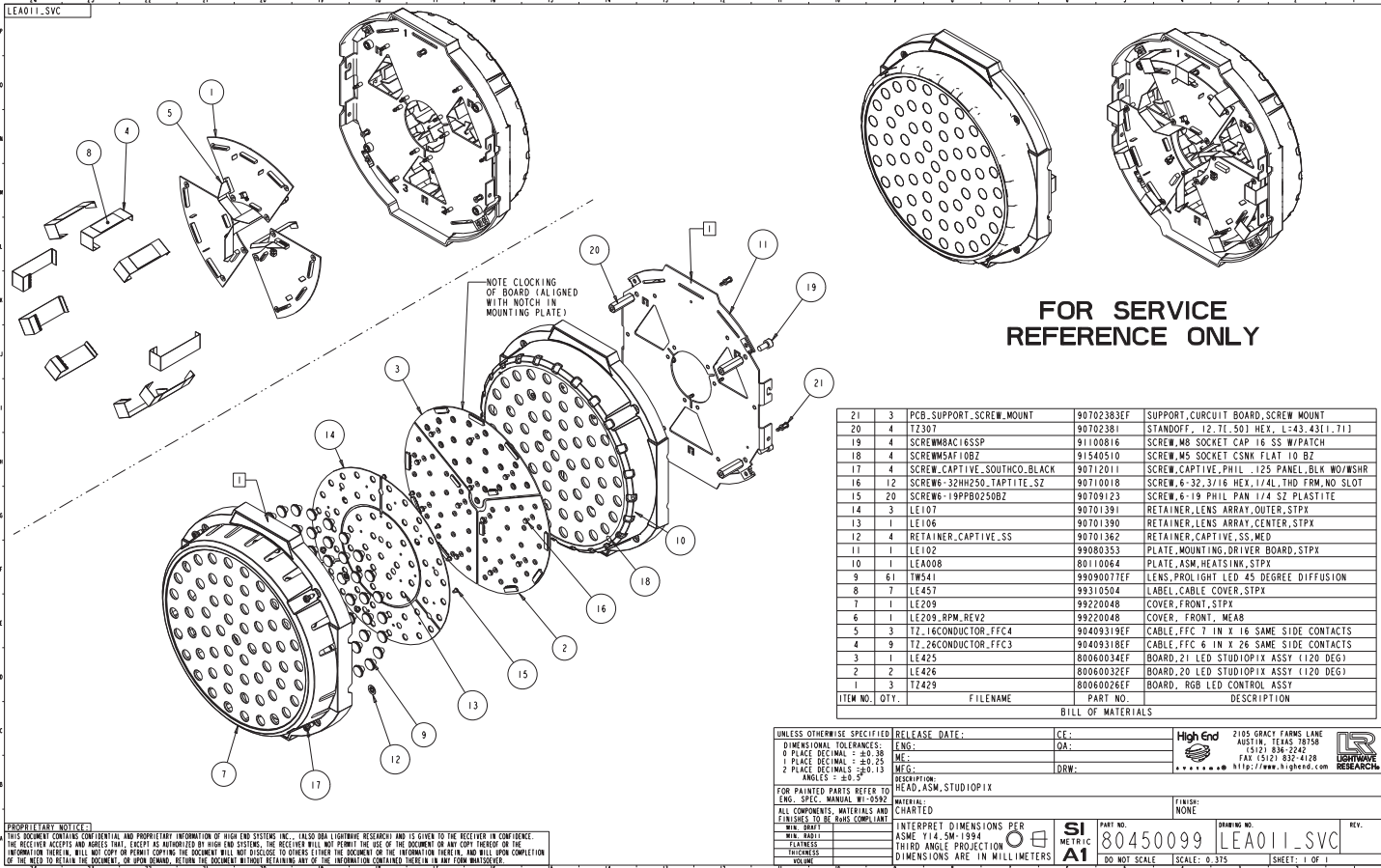
FOR SERVICE
REFERENCE ONLY

24	1	LE301	99400099	TUBE,TILT, IDLE SIDE,STPX
23	1	SW309	90702147	STANDOFF, HEX STUDIO BEAM PC
22	10	SCREWM6AC12SSP	91100612	SCREW,M6 SOCKET CAP 12 SS W/PATCH
21	6	SCREWM5AC10SSP	91100510	SCREW,M5 SOCKET CAP 10 SS W/PATCH
20	2	SCREWM4AC25BZ	91000425	SCREW,M4 SOCKET CAP 25 BZ SEMS
19	2	SCREWB-32K312BZ	90707113	SCREW,B-32 SOCKET CAP 5/16 AY BZ SWE
18	2	SCREWI0-14PPF03B0	90709124	SCREW,10-14 PHIL PAN 3/8 PLASTITE
17	1	LEA033	INTERNAL	REAR COVER,ASM STPX
16	1	MEANWELL_USP500	99070021EF	POWER SUPPLY,500W 5V MEANWELL USP500-5
15	1	LE109	99080355	PLATE, MOUNTING, CPU BOARD,STPX
14	1	BUSSMANN_15600_4	90412028EF	PANEL,FUSE X 4 ATC AUTOMOTIVE TYPE
13	3	NUTM4KEP	91201204	NUT,M4 KEPS
12	1	LE450	99310501	LABEL, POWER SUPPLY, STPX
11	1	LE456	99310502	LABEL,FUSE BLOCK,STPX
10	2	LE451	99310498	LABEL,FRONT COVER,STPX
9	1	LE302	99400100	HUB,TILT,DRIVE SIDE,STPX
8	1	LEA011	80450099	HEAD,ASM,STUDIOPIX
7	3	FUSE_25A_AUTO	90403031EF	FUSE,25A 32V BLADE AUTOMOTIVE
6	1	FUSE_1A_AUTO	90403032EF	FUSE,1A 32V BLADE AUTOMOTIVE
5	1	LE705	80270046EF	FAN,ASST,24VDC,80mm X 25mm,23.0° LEAD
4	1	LEA006	INTERNAL	FAN,ASM,COMPLETE,STPX
3	1	LEA009	80110063	CHASSIS,ASM,HEAD,STPX
2	2	BUSHING-HEYCO-2140	90410030	BUSHING, SNAP 1" P100
1	1	LE431	80010213EF	BOARD, CPU RGB LED LOGIC ASSEMBLY

ITEM NO.	QTY.	FILENAME	PART NO.	DESCRIPTION
BILL OF MATERIALS				

UNLESS OTHERWISE SPECIFIED:	RELEASE DATE:	CC:	High End 2105 GRACY FARMS LANE AUSTIN, TEXAS 78758 (512) 836-2244 FAX (512) 832-4128 http://www.highend.com	
DIMENSIONAL TOLERANCES:	ENG:	QA:		
0 PLACE DECIMAL = ±0.38	ME:			
1 PLACE DECIMAL = ±0.25	WEG:	DRW:		
2 PLACE DECIMALS = ±0.13	DESCRIPTION:			
ANGLES = ±0.5°	FOR PAINTED PARTS REFER TO:			
ENG. SPEC. MANUAL WJ-0592	MATERIAL:		FINISH:	
ALL COMPONENTS: MATERIALS AND FINISHES TO BE BANS COMPLIANT	CHARTED		NONE	
MIN. HOLE:	INTERPRET DIMENSIONS PER:		PART NO.	
MAX. HOLE:	ASME Y14.5M-1994		INTERNAL LEA004_SVC	
FLATNESS:	THIRD ANGLE PROJECTION		DRAWING NO.	
THICKNESS:	DIMENSIONS ARE IN MILLIMETERS		LEA004_SVC	
VOLUME:			SCALE: 0.300	
			SHEET: 1 OF 1	

DISPOSABLE COPY NOTICE
 THIS DOCUMENT CONTAINS CONFIDENTIAL AND PROPRIETARY INFORMATION OF HIGH END SYSTEMS INC., ALSO DBA LIGHTWAVE RESEARCH AND IS GIVEN TO THE RECEIVER IN CONFIDENCE. THE RECEIVER ACCEPTS AND AGREES THAT, EXCEPT AS AUTHORIZED BY HIGH END SYSTEMS, THE RECEIVER WILL NOT PERMIT THE USE OF THE DOCUMENT OR ANY COPY THEREOF OR THE INFORMATION HEREIN, WILL NOT COPY OR REPRODUCE THE DOCUMENT, WILL NOT DISCLOSE TO OTHERS EITHER THE DOCUMENT OR THE INFORMATION THEREIN, AND WILL UPON COMPLETION OF THE NEED TO RETAIN THE DOCUMENT, OR UPON DEMAND, RETURN THE DOCUMENT WITHOUT RETAINING ANY OF THE INFORMATION CONTAINED THEREIN IN ANY FORM WHATSOEVER.



FOR SERVICE
REFERENCE ONLY

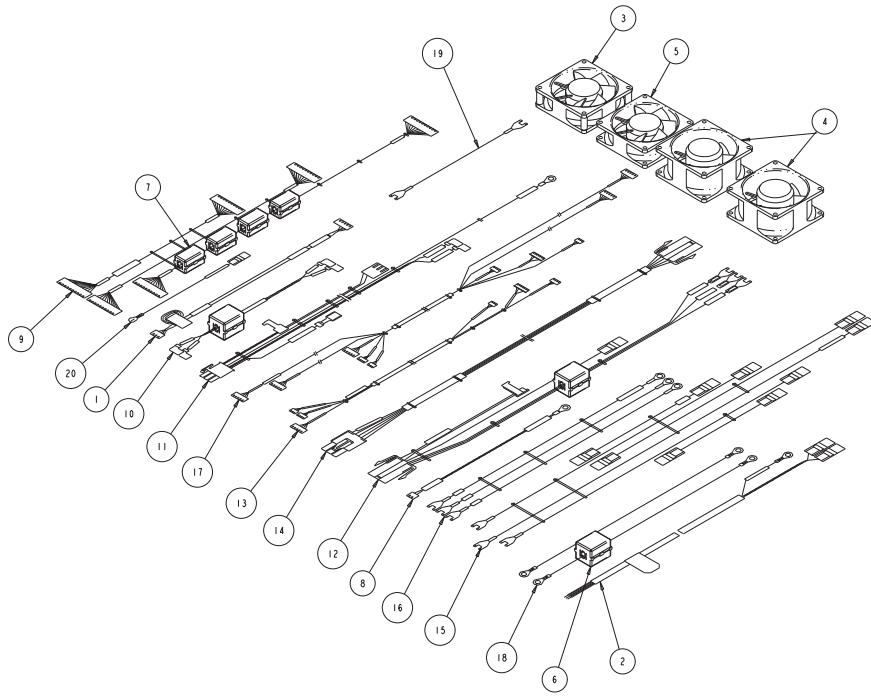
21	3	PCB_SUPPORT_SCREW_MOUNT	90702383EF	SUPPORT_CIRCUIT_BOARD_SCREW_MOUNT
20	4	TZ307	907023801	STANDOFF, 1/2, 7/1, 501 HEX, L-43, 43(1, 71)
19	4	SCREWSM6AC16SSP	91100016	SCREW,M6 SOCKET CAP 16 SS W/PATCH
18	4	SCREWSM5A10BZ	91540510	SCREW,M5 SOCKET CSNK FLAT 10 BZ
17	4	SCREW_CAPTIVE_SOUTHCO_BLACK	90712011	SCREW,CAPTIVE,PHIL.,125 PANEL,BLK,NO/WSHR
16	12	SCREW6-32HH250_TAPTITE_SZ	90710018	SCREW,6-32,3/16 HEX,1/4L,THD FRM,NO SLOT
15	20	SCREW6-19PPB0250BZ	90709123	SCREW,6-19 PHIL PAN,1/4 SZ PLASTITE
14	3	LE107	90701391	RETAINER,LENS ARRAY,OUTER,STPX
13	1	LE106	90701390	RETAINER,LENS ARRAY,CENTER,STPX
12	4	RETAINER_CAPTIVE_SS	90701362	RETAINER,CAPTIVE,SS,ME6
11	1	LE102	99080353	PLATE,MOUNTING,DRIVER,BOARD,STPX
10	1	LEA008	80110664	PLATE,ASM,HEATSINK,STPX
9	61	TW541	99090077EF	LENS,PROLIGHT LED,45 DEGREE DIFFUSION
8	7	LE457	99310504	LABEL,CABLE COVER,STPX
7	1	LE209	99220048	COVER,FRONT,STPX
6	1	LE209_RPM_REV2	99220048	COVER,FRONT,MEAR
5	3	TZ_16CONDUCTOR_FFC4	90409319EF	CABLE,FFC 7 IN X 16 SAME SIDE CONTACTS
4	9	TZ_26CONDUCTOR_FFC3	90409318EF	CABLE,FFC 6 IN X 26 SAME SIDE CONTACTS
3	1	LE425	80060034EF	BOARD,21 LED STUDIOPIX ASSY (120 DEG)
2	2	LE426	80060032EF	BOARD,20 LED STUDIOPIX ASSY (120 DEG)
1	3	TZ429	80060026EF	BOARD,RGB LED CONTROL ASSY
ITEM NO.	QTY.	FILENAME	PART NO.	DESCRIPTION

BILL OF MATERIALS

UNLESS OTHERWISE SPECIFIED:	RELEASE DATE:	CE:	High End	2105 GRACY FARMS LANE AUSTIN, TEXAS 78758 (512) 836-2244 FAX (512) 832-4128 http://www.highend.com	
DIMENSIONAL TOLERANCES: 0 PLACE DECIMAL = ±0.38 1 PLACE DECIMAL = ±0.25 2 PLACE DECIMALS = ±0.13 ANGLES = ±0.8	ENG:	DA:			
FOR PAINTED PARTS REFER TO ENG. SPEC. MANUAL WJ-0592	MATERIAL:	DRW:			FINISH: NONE
ALL COMPONENTS, MATERIALS AND FINISHES TO BE ANSI COMPLIANT	INTERPRET DIMENSIONS PER ASME Y14.5M-1994 THIRD ANGLE PROJECTION DIMENSIONS ARE IN MILLIMETERS	SI A1	PART NO. 80450099	DRAWING NO. LEA011_SVC	REV.
DATE: 03/14/00			DO NOT SCALE	SCALE: 0.375	SHEET: 1 OF 1

DISPOSABLE NOTICE

THIS DOCUMENT CONTAINS CONFIDENTIAL AND PROPRIETARY INFORMATION OF HIGH END SYSTEMS, INC., ALSO DBA LIGHTWAVE RESEARCH, AND IS GIVEN TO THE RECEIVER IN CONFIDENCE. THE RECEIVER ACCEPTS AND AGREES THAT, EXCEPT AS AUTHORIZED BY HIGH END SYSTEMS, THE RECEIVER WILL NOT PERMIT THE USE OF THE DOCUMENT OR ANY COPY THEREOF OR THE INFORMATION HEREIN, WILL NOT COPY OR REPRODUCE THE DOCUMENT, WILL NOT DISCLOSE TO OTHERS EITHER THE DOCUMENT OR THE INFORMATION THEREIN, AND WILL UPON COMPLETION OF THE NEED TO RETAIN THE DOCUMENT, OR UPON DEMAND, RETURN THE DOCUMENT, WITHOUT RETAINING ANY OF THE INFORMATION CONTAINED THEREIN IN ANY FORM WHATSOEVER.



**FOR SERVICE
REFERENCE ONLY**

20	1	CA057	80470102EF	WIRE,GROUND,9,25,18 RING TERM.,25 0-DISC
19	1	LE713	90409300EF	WIRE,GROUND,9,25,18 RING TERM.,25 0-DISC
18	2	LE715	90409391EF	WIRE,GROUND,23,18 RING TERMINALS
17	1	LE703	90409368EF	HARNSSS,TILT ENCODER/USB STPX
16	1	LE709	90409373EF	HARNSSS,PWR SUP TO FUSE BLOCK,5W STPX
15	1	LE710	90409374EF	HARNSSS,PAN/TILT TO DRIVER STPX
14	1	LE706	90409370EF	HARNSSS,PAN/TILT TUBE STPX
13	1	LE704	90409369EF	HARNSSS,PAN SENSOR STPX
12	1	LE707	90409371EF	HARNSSS,MODULE LINK,HEAD STPX
11	1	LE702	90409367EF	HARNSSS,MODULE LINK STPX
10	1	LE701	90409366EF	HARNSSS,LINE FILTER TO MPS STPX
9	1	LE712	90409376EF	HARNSSS,LED CTRL TO DRVRS,STPX
8	1	LE708	90409372EF	HARNSSS,GND,CPU STPX
7	4	FERRITE_SNA9081B025EF		FERRITE,TYPE 28 CLAMP-ON STEWARD 2025
6	3	FERRITE_SNA9081B026EF		FERRITE,SNAP ON NF100
5	1	LE705	80270046EF	FAN,ASSY,24VDC,80mm X 25mm,23.0" LEAD
4	2	LE714	80270047EF	FAN,ASSY,80X80X38MM 74.5CFM, 23" LEAD
3	1	LE716	80270050EF	FAN,ASM,24VDC,80 X 25mm,SANYO,23" LEAD
2	1	SW707EF	80470094EF	CORD,AC POWER ASSY SEOW 16/3
1	1	LE711	90409375EF	CABLE,XLR CONNECTION STPX
ITEM NO.	QTY.	FILENAME	PART NO.	DESCRIPTION

BILL OF MATERIALS

UNLESS OTHERWISE SPECIFIED:	RELEASE DATE:	CC:	High End 2105 GRACY FARMS LANE AUSTIN, TEXAS 78758 (512) 936-2244 FAX (512) 832-4128 http://www.highend.com	
DIMENSIONAL TOLERANCES:	ENG:	OA:		
0 PLACE DECIMAL: ±0.38	MEG:	DRW:		
1 PLACE DECIMAL: ±0.25	MEG:			
2 PLACE DECIMALS: ±0.13	MEG:			
ANGLES: ±0.5°				
FOR PAINTED PARTS REFER TO ENG. SPEC. MANUAL WJ-0592	MATERIAL:		FINISH:	
ALL COMPONENTS: MATRYING AND FINISHES TO BE BANS COMPLIANT	WATERL:		NA	
MIN. HOLE:	INTERPRET DIMENSIONS PER		PART NO.	
FLATNESS:	ASME Y14.5M-1994		NA	
THICKNESS:	THIRD ANGLE PROJECTION		DRAWING NO.	
VOLUME:	DIMENSIONS ARE IN MILLIMETERS		LEA007_SVC	
	DO NOT SCALE		SCALE: 0.500	
			SHEET: 1 OF 1	

DISPOSABLE EASY NOTICE
 THIS DOCUMENT CONTAINS CONFIDENTIAL AND PROPRIETARY INFORMATION OF HIGH END SYSTEMS INC., ALSO DBA LIGHTWAVE RESEARCH AND IS GIVEN TO THE RECEIVER IN CONFIDENCE. THE RECEIVER ACCEPTS AND AGREES THAT, EXCEPT AS AUTHORIZED BY HIGH END SYSTEMS, THE RECEIVER WILL NOT PERMIT THE USE OF THE DOCUMENT OR ANY COPY THEREOF OR THE INFORMATION THEREIN, WILL NOT COPY OR REPRODUCE THE DOCUMENT, WILL NOT DISCLOSE TO OTHERS EITHER THE DOCUMENT OR THE INFORMATION THEREIN, AND WILL UPON COMPLETION OF THE NEED TO RETAIN THE DOCUMENT, OR UPON DEMAND, RETURN THE DOCUMENT, WITHOUT RETAINING ANY OF THE INFORMATION CONTAINED THEREIN IN ANY FORM WHATSOEVER.